

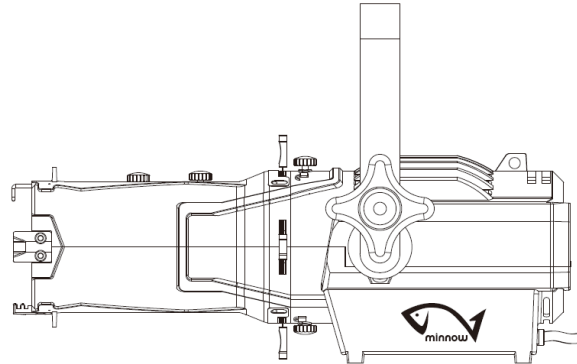


Minnow Studio Lighting

Fan-less Noise Free Ellipsoidal Series

OVERVIEW • SPECIFICATION • ORDERING

DATE	PROJECT	FIRM	TYPE
------	---------	------	------



The Minnow Studio Lighting Series consists of high definition, noise-free, fan-less LED designs integrated into die-cast aluminum alloy housings and includes a standard manual zoom lens to adjust beam angles from 15° to 30° for any studio lighting application. Select from Minnow RGBAL or VW models for full spectrum or tunable white applications.

How to Order

Model	Type	Lens Tube
BL-MINNOW/2	55D-VW	MZ - (Manual Zoom 15°- 30°)
BL-MINNOW/5	60F-RGBAL	

Ordering Example: BL-MINNOW-55D-VW-MZ

60F-RGBAL is a high-definition full color spectrum design with Brightline's noise-free, fan-less cooling system integrated into a die-cast aluminum alloy housing. The system is ideal for studio and television production studios where noise reduction is required. The 60F-RGBAL features a 60-watt 5-in-1 LED RGBAL chip delivering the brightest output and boldest rendering of color.

55D-VW is a high-definition tunable white design with Brightline's noise-free, fan-less cooling system integrated into a die-cast aluminum alloy housing. The system is ideal for studio and television production studios where noise reduction is required. The 55D-VW features a 55-watt 2-in-1 LED Cool White + Warm White (3200K to 5600K), 95+ CRI tunable white LED chip-on-board.

OVERVIEW • SPECIFICATION • ORDERING

DATE	PROJECT	FIRM	TYPE
------	---------	------	------

Specifications: 60F-RGBAL & 55D-VW

Light Source

- **60F-RGBAL Model:** 1 x 60-watt 5-in-1 LED (RGBAL)
- **55D-VW Model:** 1 x 55-watt 2-in-1 LED (3200K - 5600K)
- CRI ≥95+
- Flicker free operation for broadcast TV and film
- Life Span: 50,000-hour (chip rating may vary depending on several factors including, but not limited to: environmental conditions, power/voltage supply, usage pattern (on-off cycling), control and dimming)

Optics

- Manual high-resolution and precise optic zoom function adjust beam angle from 15° to 30°
- 45° rotatable lens tube
- Manual focus

Framing System

- 4 metal spot cutting slots

Color System

- **60F-RGBAL Model:** RGBAL color mixing – pure and even coverage
- Color frame included with all models

Gobo and IRIS System

- Gobo holder included

Dimming System

- 0-100% smooth linear LED dimming

Power Supply

- Electronic supply with active Power Factor Correction (PFC)
- AC100-240V 50/60 Hz
- 9-feet Power IN with fuse and ON/OFF Switch
60-watt power consumption – RGBAL
55-watt power consumption – VW

Control System

- **60F-RGBAL Model:** 7 DMX channels – Remote Device Management (RDM) enabled
- **55D-VW Model:** Two 2-in-1 DMX channels – RDM enabled
- DMX512, In/Out or auto operation DMX recorder and edit function integrated
- Shielded input signal protection for stable signal without interference
- 5-pin XLR DMX connectors In/Out

Cooling System

- Advanced cooling fan-less system, aluminum heat sink with integrated copper heat pipe
- Efficient noise-free cooling system
- Constant temperature readout and management function with integrated thermal protection cut-off switch

Housing

- Die-cast aluminum alloy with powder coat body

Installation

- Single slide-adjust hanging bracket with safety attachment point

Operating Condition

- -25°C to 45°C ambient temperature
- IP20 protection

Compliance

- CE + FCC
- 2014/35/EU Safety of electrical equipment supplied at low voltage (L VD)
- 2014/30/EU Electromagnetic compatibility (EMC)
- 2011/65/EU Restriction of the use of certain hazardous substances (RoHS)

Unit and Pack Weight

- N.W.: 6.4 lbs. (2.9 kg) G.W.: 7.8 lbs. (3.5 kg)

Unit and Pack Dimensions

- Product Dimensions (L x W x H): 14" (356mm) x 6.75" (171mm) x 8.5" (216mm)
- Packing Dimensions (L x W x H): 18.0" (457mm) x 9.25" (235mm) x 8.75" (222mm)

580 Mayer Street, Building #7, Bridgeville, PA 15017, USA

Brightlines.com | 1-412-206-0106



OVERVIEW • SPECIFICATION • ORDERING

DATE	PROJECT	FIRM	TYPE
------	---------	------	------

Menu Operations: 55D-VW

Serial Number	Display		Description
1	A	A001-A512	DMX ADDRESS - Identify and set the DMX address for the fixture
2	CCT	3200-5600	VW COLOR SELECT to adjust CCT
3	EP	EP1/EP0	EP1 - system goes to last DMX program number if DMX signal is lost; EP0 - system goes to black if DMX signal is lost
4	DP	DP1/DP0	DISPLAY BACKLIGHT - DP1 screen backlight OFF / DP0 screen backlight ON
5	L	L000-L100	GLOBAL DIMMING - Dim fixture from 100% (full on) to 0% (dim to off)
6	T	TT-C	Shows chip temperature in Celsius

DMX Channels: 55D-VW

Serial Number	Display	Description
Channel 1	GLOBAL Dimming	Global linear dimming (0%-100%) dark to full bright
Channel 2	TOTAL VW / CCT Adjust	Linear CCT (3200) Warm White to (5600) Cool White
Channel 3-7	Blank	Blank

OVERVIEW • SPECIFICATION • ORDERING

580 Mayer Street, Building #7, Bridgeville, PA 15017, USA

Brightlines.com | 1-412-206-0106



DATE	PROJECT	FIRM	TYPE
------	---------	------	------

Menu Operations: 60F-RGBAL

Serial Number	Display		Description
1	A	A001-A512	DMX ADDRESS - Identify and set the DMX address for the fixture
2	L	L000-L100	GLOBAL DIMMING - Dim fixture from 100% (full on) to 0% (dim to off)
3	R	R000-R255	RED DIM - Dim red color from 100% (full on) to 0% (dim to off)
4	G	G000-G255	GREEN DIM - Dim green color from 100% (full on) to 0% (dim to off)
5	B	B000-B255	BLUE DIM - Dim blue color from 100% (full on) to 0% (dim to off)
6	AM	AM000-AM255	AMBER DIM - Dim amber color from 100% (full on) to 0% (dim to off)
7	LM	LM000-LM255	LIME DIM - Dim lime color from 100% (full on) to 0% (dim to off)
8	CCT	1400-9000	VW COLOR SELECT to adjust CCT range using full color chip
9	DP	DP1/DP0	DISPLAY BACKLIGHT - DP1 screen backlight OFF / DP0 screen backlight ON
10	T	TT-C	Shows chip temperature in Celsius

DMX Channels: 60F-RGBAL

Serial Number	Display	Description
Channel 1	GLOBAL Dimming	Global linear dimming (0%-100%) dark to full bright
Channel 2	RED (R) Dimming	Linear dimming red (0-255) dark to bright
Channel 3	GREEN (G) Dimming	Linear dimming green (0-255) dark to bright
Channel 4	BLUE (B) Dimming	Linear dimming blue (0-255) dark to bright
Channel 5	AMBER (AM) Dimming	Linear dimming amber (0-255) dark to bright
Channel 6	LIME (LM) Dimming	Linear dimming lime (0-255) dark to bright
Channel 7	LINEAR CCT Select	(1400-9000) CCT adjustment warm white to cool white

580 Mayer Street, Building #7, Bridgeville, PA 15017, USA

Brightlines.com | 1-412-206-0106

